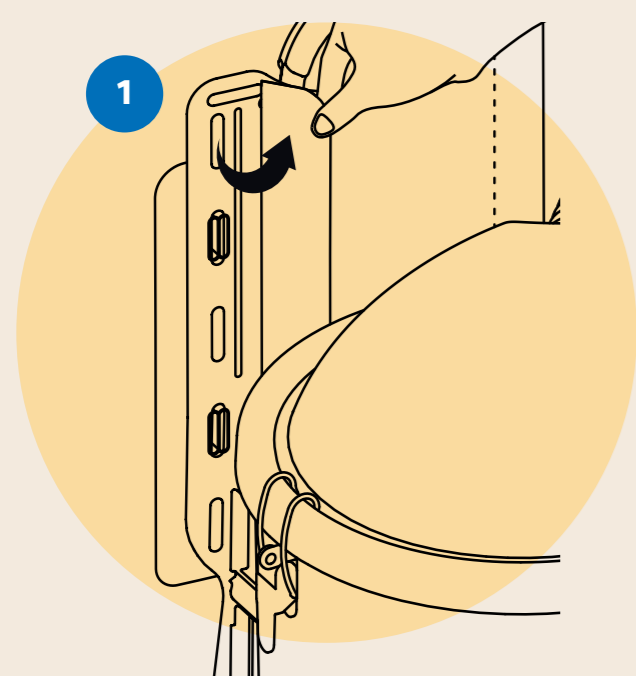


CORDLESS BACKPACK VACUUM CLEANERS

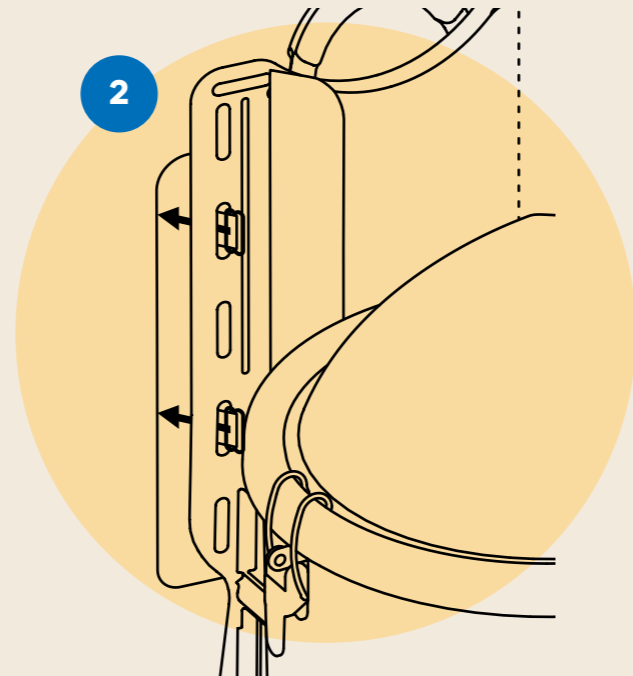
User safety guide

FITTING YOUR BACKPACK VACUUM



CHOOSE HEIGHT

Lift cover sides, as per the illustration, to reveal the frame which has two buckles that attach the harness.



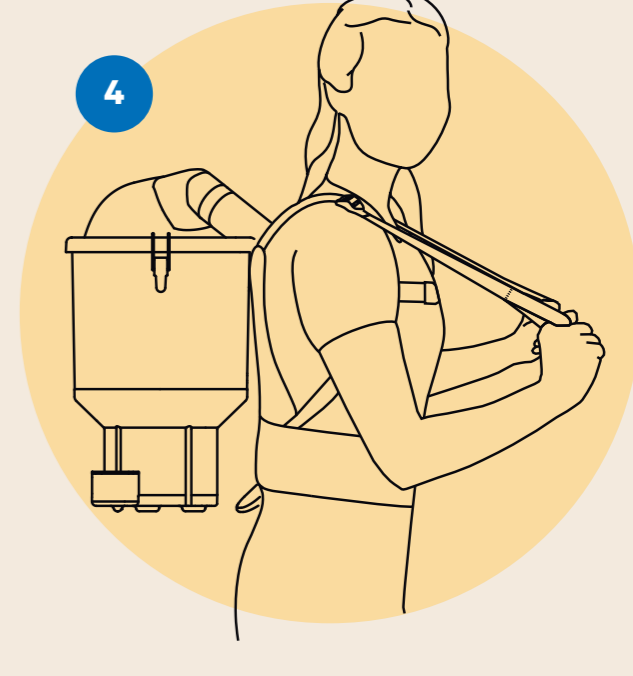
ADJUST BUCKLES

Push the buckles through the slots in a 90° angle to release. Replace the buckles in higher/lower slots to provide a better height for the machine on the users back.



ADJUST HARNESS

Wrap the attached harness hipband around your hips and adjust to ensure a comfortable fit. Pull down on the shoulder straps until it feels comfortable. Adjust the chest strap to the correct position for you, and click together to secure.

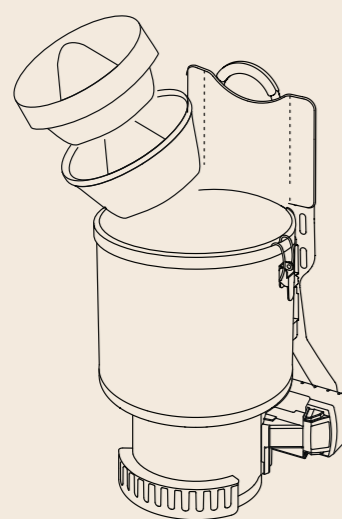


CORRECT POSTURE

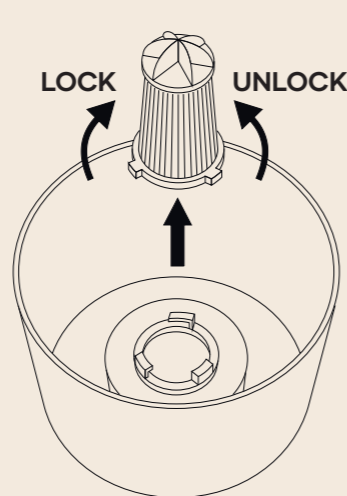
Pull down on the load-bearing (grey) straps to ensure the machine fits comfortably to your frame.

! When worn as instructed above, the machine should not feel heavy or uncomfortable.

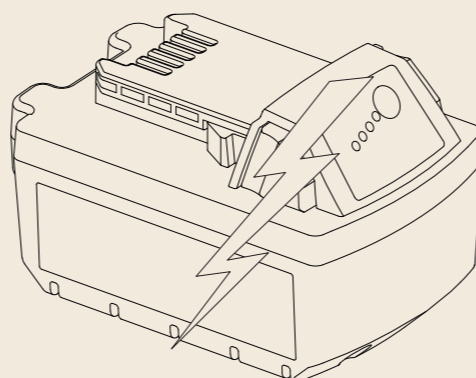
SAFETY & MAINTENANCE CHECKS



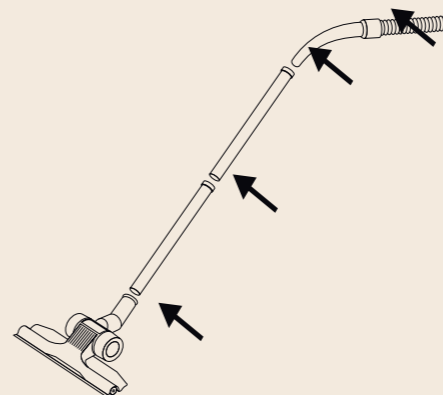
Replace the paper or SMS disposable dust bag if needed. Remove, empty and clean the reusable dust bag.



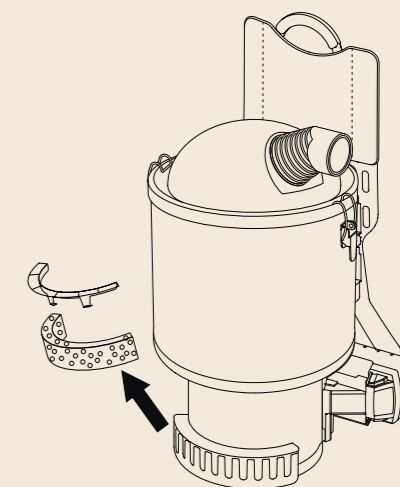
Clean the filter by turning it anti-clockwise to unlock and remove, then tap gently to release fine dust.



Check the batteries for possible damage including warping, and any signs of cuts, abrasions or exposed wiring to the charger cable.



Check the floor tool, wand, handpiece and hose for any obstructions.



Regularly remove and clean the external motor filter.

! Any other servicing should be performed by an Authorised Pacvac Service and Warranty Agent. Do not operate if damage is found.

TROUBLESHOOTING

PROBLEM	POSSIBLE CAUSE	SOLUTION
MACHINE IS NOT WORKING	Battery not completely connected to machine.	Check and re-insert battery. Machine must have two batteries to operate.
	Battery connected to machine while the switch was in the ON position.	Turn the switch OFF and switch back ON after 5 seconds.
	Battery power depleted or batteries are damaged.	Check for damage, if no sign of damage, check the charge level by pressing the power button.
	Battery shuts off due to motor overheating.	Turn machine off and conduct safety and maintenance checks as above. Allow the machine to cool off completely, and then it should be ready for use. If problem persists, contact your Authorised Pacvac Service and Warranty Agent.
	Time delay protection on switch.	Turn the machine OFF, leave for 5 seconds and then turn it back ON.
MACHINE HAS NO/POOR SUCTION	Dust bag is full.	Remove, empty and clean, or replace the reusable dust bag. If using a disposable dust bag, replace if needed.
	Reusable dust bag is not correctly installed.	Remove reusable dust bag and check that the rubber edging is correctly fitted around the canister.
	Hose is not correctly installed.	Reconnect the hose to ensure it is tightly sealed.
	Blockages.	Remove the hose, wand and floor tools; remove any blockages.
	Filters blocked.	Remove the filter and tap gently to clean, or replace with new filter.
Low battery.	Check the charge level by pressing the power button on the battery, charge if required.	



Get the most from your machine with academy.pacvac.com

pacvac.com

SAFE DISPOSAL

Contact your local waste authority for recycling and/or disposal options. We are always happy to help at Pacvac via support@pacvac.com, or +61 8 9479 1444.

Europe only - When replacing old appliances, please first check if the retailer is legally obligated to take back your old appliance for safe disposal.

Please place used lithium-ion batteries in a sealed plastic bag, and dispose safely in accordance with your local environmental regulations.

