

CORDED BACKPACK VACUUM CLEANERS

User safety guide

FITTING YOUR BACKPACK VACUUM



WEAR COMFORTABLY

Loosen the shoulder straps and adjust the length if required.

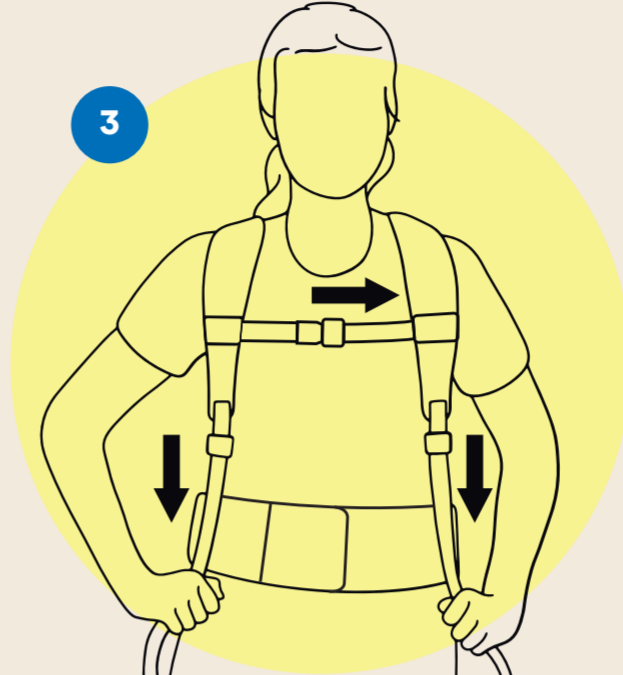
Lift the backpack by one shoulder strap and slide your free arm into the other.



TIGHTEN HIP BAND

Tighten the hip band by crossing one side over the other.

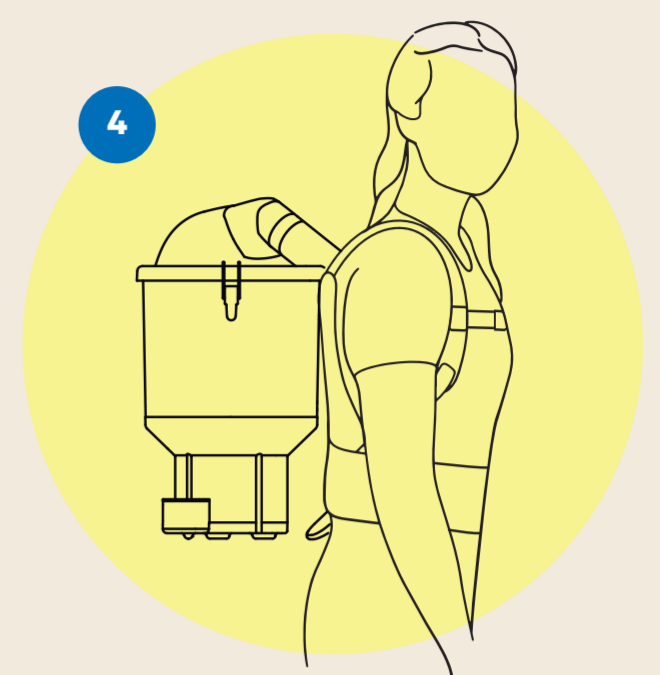
The machine should rest comfortably on your hips.



ADJUST STRAPS

Pull down on the shoulder straps until you feel it's a comfortable fit, resting snugly against your back.

Connect the chest straps, then adjust the length and position for a comfortable fit.



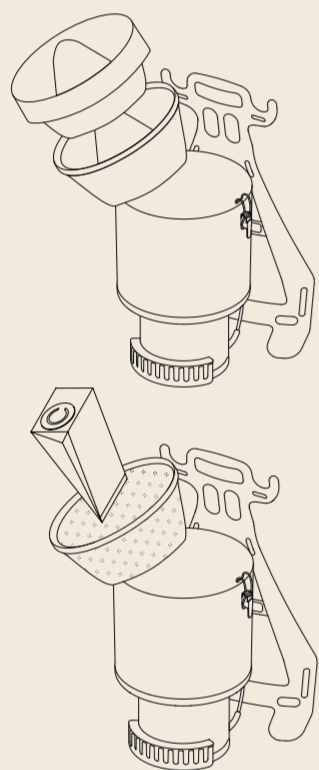
CORRECT POSTURE

Make sure the machine fits comfortably, avoid leaning forward, and maintain an upright position whilst wearing.

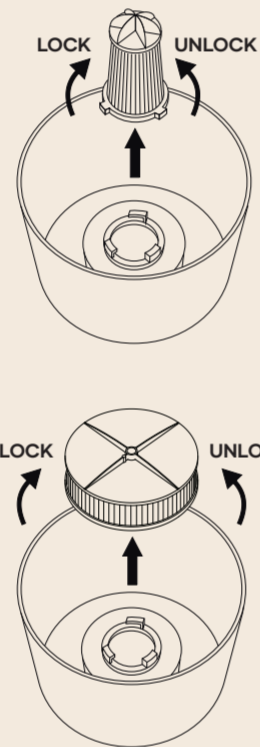


When worn as instructed above, the machine should not feel heavy or uncomfortable.

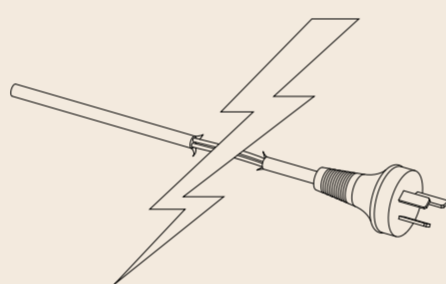
SAFETY & MAINTENANCE CHECKS



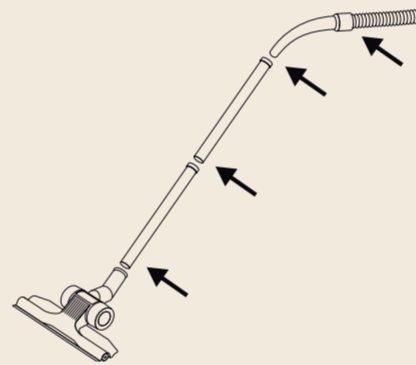
Replace the paper or SMS disposable dust bag if needed. Remove, empty and clean the reusable dust bag.



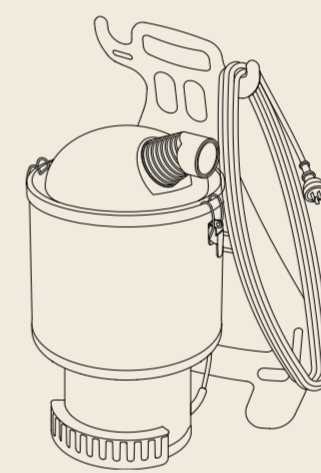
Clean the filter by turning it anti-clockwise to unlock and remove, then tap gently to release fine dust.



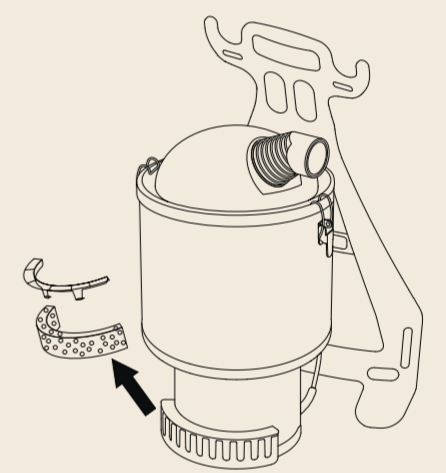
Check all power cords and ensure there are no cuts, abrasions or exposed wiring.



Check the floor tool, wand, handpiece and hose for any obstructions.



Wrap the cable loosely from the machine towards the plug. Store power cord on the hook of the frame.



Regularly remove and clean the external motor filter.



Any other servicing should be performed by an Authorised Pacvac Service and Warranty Agent. Do not operate if damage is found.

TROUBLESHOOTING

PROBLEM	POSSIBLE CAUSE	SOLUTION
MACHINE IS NOT WORKING	Power cord not completely plugged into powerpoint, short lead or machine.	Check all plugs and sockets are firmly plugged in.
	Machine shuts off due to motor overheating.	Turn main switch off and unplug the machine. Conduct safety and maintenance checks as above. Allow the machine to cool off completely, and then it should be ready for use. If not contact your nearest Authorised Pacvac Service and Warranty Agent.
	Circuit breaker or RCD has tripped.	Reset circuit breaker or RCD. If circuit breaker or RCD trips again contact your nearest Authorised Pacvac Service and Warranty Agent.
	Extension cord or short lead is damaged.	Unplug from power source. Check all cords and leads for cuts abrasions and/or exposed wiring. If any damage is found, do not use machine and replace the damaged cord.
MACHINE HAS NO/POOR SUCTION	Dust bag is full.	Remove, empty and clean, or replace the reusable dust bag. If using a disposable dust bag, replace if needed.
	Reusable dust bag is not correctly installed.	Remove reusable dust bag and check that the rubber edging is correctly fitted around the canister.
	Hose is not correctly installed.	Reconnect the hose to ensure it is tightly sealed.
	Blockages.	Remove the hose, wand and floor tools; remove any blockages.
	Filters blocked.	Remove the filter and tap gently to clean, or replace with new filter.



Get the most from your machine with academy.pacvac.com

pacvac.com

SAFE DISPOSAL

Contact your local waste authority for recycling and/or disposal options. We are always happy to help at Pacvac via support@pacvac.com, or +61 8 9479 1444.

Europe only - When replacing old appliances, please first check if the retailer is legally obligated to take back your old appliance for safe disposal.

pacvac