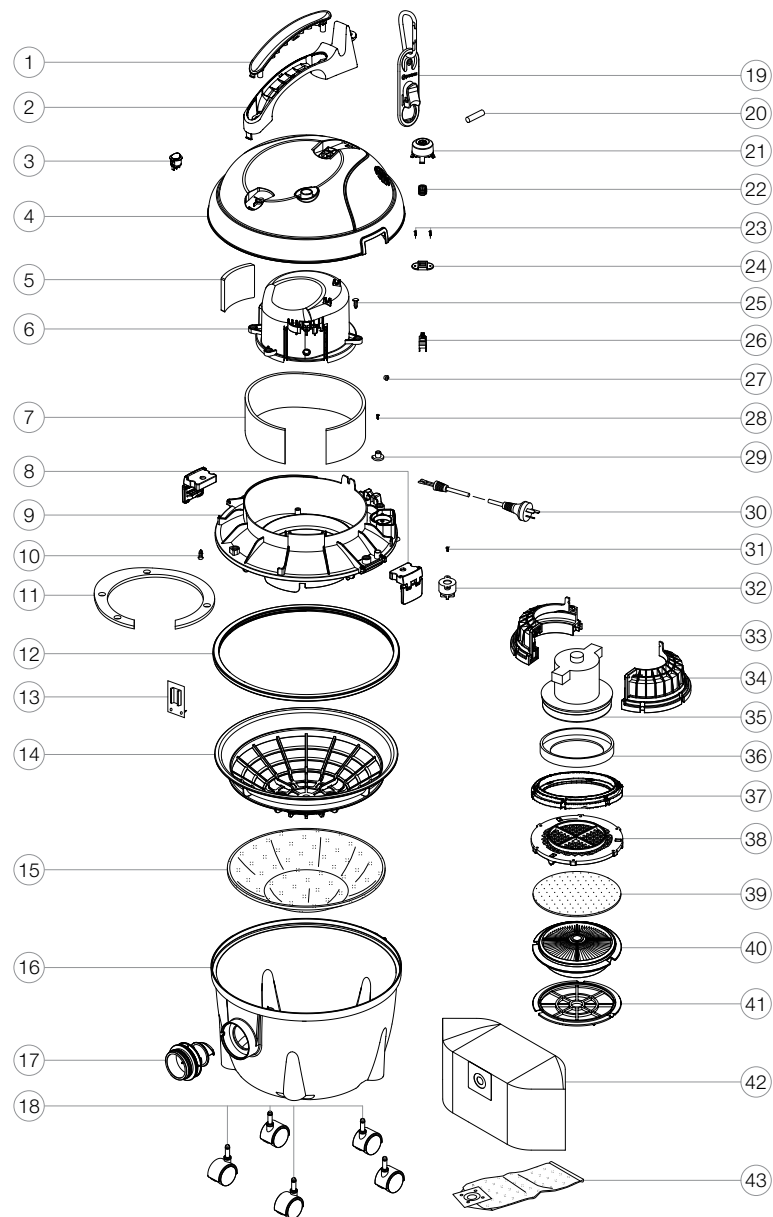


## Parts Profile

Glide - 01GL001VC / Hush - 01HU001VC



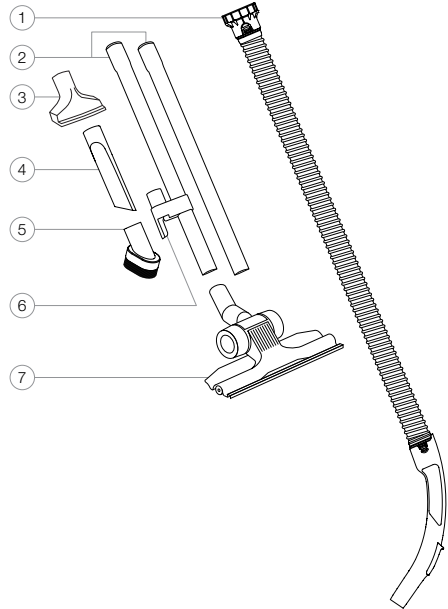
## Spare Parts

Quote these part numbers when ordering spare parts.

No.	Part Name	Part No.
1.	Handle cover 220mm	COV001
2.	Plastic handle 280mm	HAN002
3.	Hi-low rocking switch (Hush only)	SWI004
4.	Top cover 380mm	COV002
5.	Exhaust filter	FIL006
6.	Motor holder 185mm	HOL003
7.	Motor insulation 630mm	INS002
8.	Plastic latch 50mm	LAT002
9.	Motor holder 350mm	HOL002
10.	Screw - ST5x22 - St - PHW - F - H - ZW	FST001U
11.	Motor insulation 150mm	INS003
12.	Rubber filter seal 350mm	SEA001
13.	Two speed PCB AC (Hush only)	PCB002
14.	Plastic filter retainer 340mm	RET001
15.	Synthetic filter cover	FIL008
16.	Glide 300 canister	CAN008
17.	Hose inlet 32mm	HOI001
18.	Plastic castor wheel	WHL004
19.	Cord Restraint	COR004
20.	Rubber grommet 50mm	GRO005
21.	On/off button casing	BUT002
22.	Steel spring 15mm x 40mm	SPR001
23.	Screw - ST3x9 - St - PH - C - H - ZW	FST001V
24.	Switch bracket 40mm	BRA007
25.	Screw - ST5x15 - St - PHW - F - H - ZW	FST001W
26.	Push button switch connector	SWI003
27.	Rubber grommet	GRO002
28.	Screw - ST4x16 - St - PH - F - H - ZW	FST001Q
29.	Cable clamp 20mm	CLA003
30.	Hard-wired power cord with grommet 18m	PWC001
31.	Screw - ST3x8 - St - PHW - C - H - ZW	FST001X
32.	Plastic spring loaded valve 32mm (grey)	VAL002
33.	Motor bracket (left-hand)	BRA005
34.	Motor bracket (right-hand)	BRA006
35.	1300W Single-stage flow through motor	MOT005
36.	Rubber gasket motor 130mm	GAS005
37.	Rubber gasket motor 180mm	GAS006
38.	Motor filter cage grid	CAG007
39.	Motor filter	FIL007
40.	H13 HEPA Pre-motor cartridge filter 33mm (Hush only)	FIL032
41.	Motor filter cage	CAG006
42.	Disposable sealed paper dust bag 15L (10pk)	DUB031
43.	Reusable sealed SMS dust bag 15L (grey)	DUB009

## Parts Profile

Glide - 01GL001VC / Hush - 01HU001VC



## Specifications

Model Name	Glide	Hush
<b>Model No</b>	01GL001VC	01HU001VC
<b>Volts/Frequency</b>	220-240V AC 50Hz	220-240V AC 50Hz
<b>Motor</b>	1300W single-stage flow through	1300W single-stage flow through
<b>Noise Level (at 1.5m)</b>	78.9dB(A)	<78dBA
<b>Filtration</b>	3 stage	3 stage; H13 HEPA (pre-motor)
<b>Volumetric Airflow (Max.)</b>	33.9L/s	35.7L/s, 25.3L/s (hush mode)
<b>Capacity</b>	15L	15L
<b>Weight (excluding power cord assembly and hose)</b>	5kg	5.1kg
<b>Power Source</b>	Mains, 18m cord, hardwired	Mains, 18m cord, hardwired
<b>Vibration Level</b>	≤2.5m/s <sup>2</sup>	≤2.5m/s <sup>2</sup>

## Spare Parts

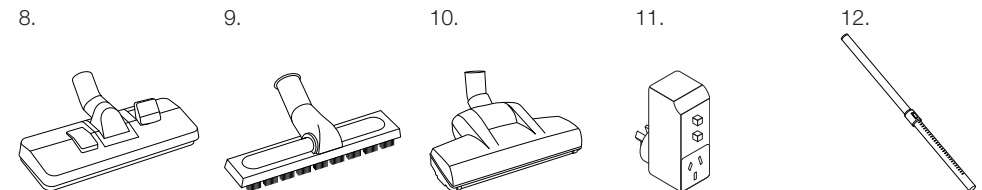
Quote these part numbers when ordering spare parts.

No.	Part Name	Part No.
1.	Screw fit hose 2m	HOA013
2.	Chrome two piece wand	WND002
3.	Upholstery tool 32mm	ACC003
4.	Crevice tool 32mm	ACC002
5.	Dusting brush 32mm	ACC001
6.	Wand hook 32mm	HOK001
7.	All purpose floor tool 285mm	FLT001

## Optional Extras

Quote the following part numbers when ordering spare parts for all models.

No.	Part Name	Part No.
8.	Combination floor tool 270mm	FLT003
9.	Hard surface floor tool 300mm	FLT005
10.	Turbo head floor tool 280mm	FLT007
11.	Plug-in RCD	RCD003
12.	Chrome extendable wand 950mm	WND001



\*Technical specifications, part numbers and part designs are subject to change without notice.